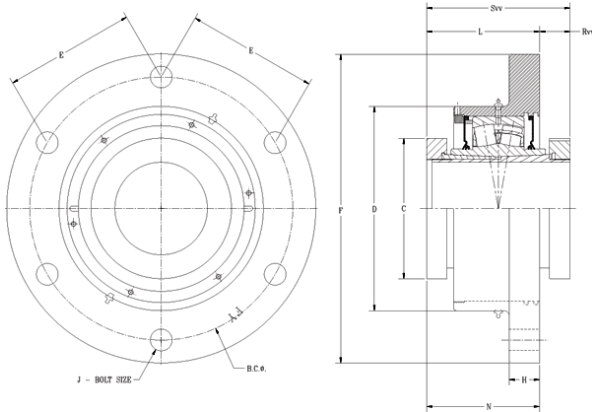




# SAF BEARING LIMITED



## timken QVVFX28V500S Solid Block/Spherical Roller Bearing Housed Units-Double V-Lock Round Flange Block

Bearing No. QVVFX28V500S

QVVFX28V500S Bearing 2D drawings and 3D CAD models

Engineering Group	Mounted Bearing
Shaft Size	5 in
Shaft Size Type	Imperial
Full Timken Part Number	QVVFX28V500SB
Locking Style	Double V-Lock
Weight	115 lb
Housing Style	Four-Bolt Square Flange
UPC Code	0883450369190
Dimension BC	14 in
Dimension C	7.47 in
Dimension D	11.190 in
Dimension E	7.000 in
Dimension F	16.5 in
Dimension H	1.50 in
Dimension J (Bolt Size)	1.125 in
Dimension L Exp	6.62 in
Dimension L Fix	6.54 in
Dimension N	5.450 in
Dimension RVV	0.48 in
Dimension SVV	7.02 in
C - Dynamic Load (Basic)	194000 lb
C0 - Static Load	237000 lb
e - Geometry Factor	0.26
Y1 - Geometry Factor	2.62
Y2 - Geometry Factor	3.89



## SAF BEARING LIMITED

Oil Lubrication - M/N Seal	650 rpm
Oil Lubrication - T Seal	1200 rpm
Oil Lubrication - B/C/O Seal	350 rpm
Grease Lubrication - M/N Seal	650 rpm
Grease Lubrication - T Seal	900 rpm
Grease Lubrication - B/C/O Seal	350 rpm
Float	0.083 in
Shaft Tolerance	0.0050 in
Eng Internal Radial Clearance - Min	0.0063
Eng Internal Radial Clearance - Max	0.0079
Pre Install Clearance Min	0.0063 in
Pre Install Clearance Max	0.0079 in