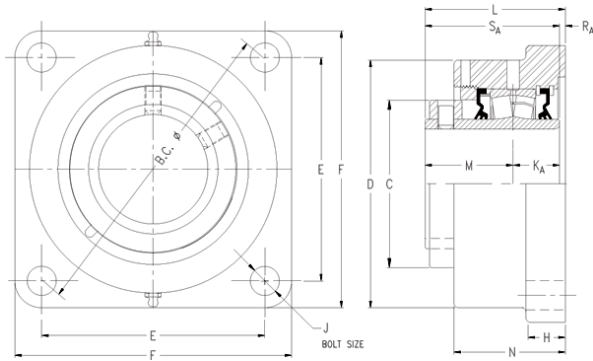




# SAF BEARING LIMITED



## timken QAF10A050S Solid Block/Spherical Roller Bearing Housed Units-Single Concentric Four Bolt Square Flange Block

Bearing No. QAF10A050S

QAF10A050S Bearing 2D drawings and 3D CAD models

Engineering Group	Mounted Bearing
Shaft Size	50 mm
Shaft Size Type	Metric
Full Timken Part Number	QAF10A050SB
Locking Style	Single Concentric
Weight	11.0 lb
Housing Style	Four-Bolt Square Flange
UPC Code	0883450037808
Dimension BC	6.19 in
Dimension C	2.88 in
Dimension D	4.750 in
Dimension E	4.38 in
Dimension F	5.500 in
Dimension H	0.88 in
Dimension J (Bolt Size)	0.5 in
Dimension KA	0.98 in
Dimension L Exp	3.26 in
Dimension L Fix	3.18 in
Dimension M	1.89 in
Dimension N	2.560 in
Dimension RA	0.31 in
Dimension SA	2.87 in
C0 - Static Load	26600 lb
C - Dynamic Load (Basic)	26300 lb
e - Geometry Factor	0.25



## SAF BEARING LIMITED

Y1 - Geometry Factor	2.71
Y2 - Geometry Factor	4.04
Oil Lubrication - M/N Seal	2400 rpm
Oil Lubrication - T Seal	4200 rpm
Oil Lubrication - B/C/O Seal	1800 rpm
Grease Lubrication - M/N Seal	2400 rpm
Grease Lubrication - T Seal	3550 rpm
Grease Lubrication - B/C/O Seal	1800 rpm
Float	0.050 in
Shaft Tolerance	0.0015 in
Eng Internal Radial Clearance - Min	0.0016
Eng Internal Radial Clearance - Max	0.0026
Pre Install Clearance Min	0.0016 in
Pre Install Clearance Max	0.0026 in