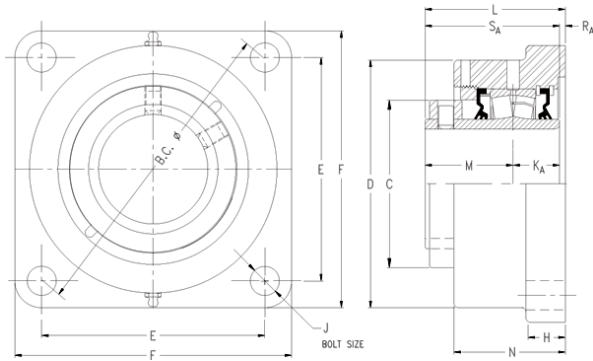




SAF BEARING LIMITED



timken QAF10A200S Solid Block/Spherical Roller Bearing Housed Units-Single Concentric Four Bolt Square Flange Block

Bearing No. QAF10A200S

Engineering Group	Mounted Bearing
Shaft Size	2 in
Shaft Size Type	Imperial
Full Timken Part Number	QAF10A200SB
Locking Style	Single Concentric
Weight	11.0 lb
Housing Style	Four-Bolt Square Flange
UPC Code	0883450038003
Dimension BC	6.19 in
Dimension C	2.88 in
Dimension D	4.750 in
Dimension E	4.38 in
Dimension F	5.500 in
Dimension H	0.88 in
Dimension J (Bolt Size)	0.5 in
Dimension KA	0.98 in
Dimension L Exp	3.26 in
Dimension L Fix	3.18 in
Dimension M	1.89 in
Dimension N	2.560 in
Dimension RA	0.31 in
Dimension SA	2.87 in
C0 - Static Load	26600 lb
C - Dynamic Load (Basic)	26300 lb
e - Geometry Factor	0.25

QAF10A200S Bearing 2D drawings and 3D CAD models



SAF BEARING LIMITED

Y1 - Geometry Factor	2.71
Y2 - Geometry Factor	4.04
Oil Lubrication - M/N Seal	2400 rpm
Oil Lubrication - T Seal	4200 rpm
Oil Lubrication - B/C/O Seal	1800 rpm
Grease Lubrication - M/N Seal	2400 rpm
Grease Lubrication - T Seal	3550 rpm
Grease Lubrication - B/C/O Seal	1800 rpm
Float	0.050 in
Shaft Tolerance	0.0015 in
Eng Internal Radial Clearance - Min	0.0016
Eng Internal Radial Clearance - Max	0.0026
Pre Install Clearance Min	0.0016 in
Pre Install Clearance Max	0.0026 in