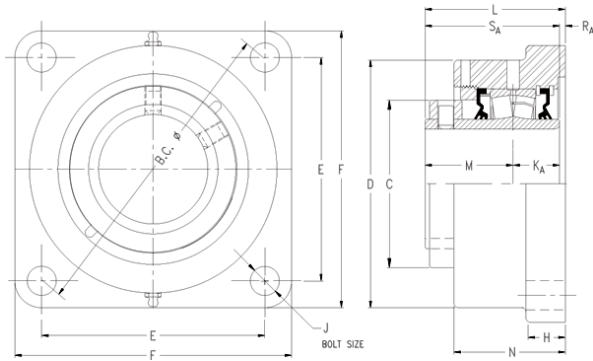




# SAF BEARING LIMITED



## timken QAF13A060S Solid Block/Spherical Roller Bearing Housed Units-Single Concentric Four Bolt Square Flange Block

Bearing No. QAF13A060S

QAF13A060S Bearing 2D drawings and 3D CAD models

Engineering Group	Mounted Bearing
Shaft Size	60 mm
Shaft Size Type	Metric
Full Timken Part Number	QAF13A060SB
Locking Style	Single Concentric
Weight	17.0 lb
Housing Style	Four-Bolt Square Flange
UPC Code	0883450325509
Dimension BC	7.6 in
Dimension C	4 in
Dimension D	5.750 in
Dimension E	5.38 in
Dimension F	6.63 in
Dimension H	1.00 in
Dimension J (Bolt Size)	0.625 in
Dimension KA	1.24 in
Dimension L Exp	3.59 in
Dimension L Fix	3.51 in
Dimension M	2.15 in
Dimension N	2.850 in
Dimension RA	0.12 in
Dimension SA	3.39 in
C0 - Static Load	48600 lb
C - Dynamic Load (Basic)	46400 lb
e - Geometry Factor	0.25



## SAF BEARING LIMITED

Y1 - Geometry Factor	2.69
Y2 - Geometry Factor	4.00
Oil Lubrication - M/N Seal	1800 rpm
Oil Lubrication - T Seal	3200 rpm
Oil Lubrication - B/C/O Seal	1500 rpm
Grease Lubrication - M/N Seal	1800 rpm
Grease Lubrication - T Seal	2800 rpm
Grease Lubrication - B/C/O Seal	1500 rpm
Float	0.083 in
Shaft Tolerance	0.0015 in
Eng Internal Radial Clearance - Min	0.0016
Eng Internal Radial Clearance - Max	0.0026
Pre Install Clearance Min	0.0016 in
Pre Install Clearance Max	0.0026 in