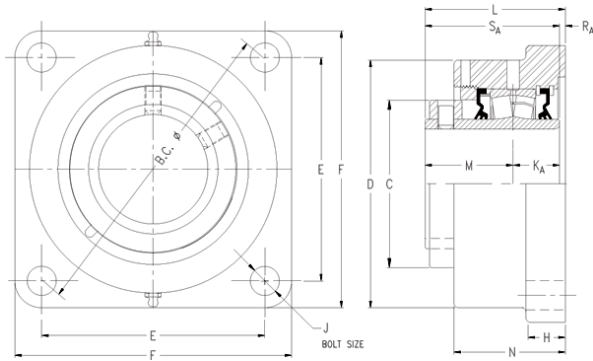




# SAF BEARING LIMITED



## timken QAF11A204S Solid Block/Spherical Roller Bearing Housed Units-Single Concentric Four Bolt Square Flange Block

Bearing No. QAF11A204S

Engineering Group	Mounted Bearing
Shaft Size	2-1/4 in
Shaft Size Type	Imperial
Full Timken Part Number	QAF11A204SB
Locking Style	Single Concentric
Weight	14 lb
Housing Style	Four-Bolt Square Flange
UPC Code	0883450038201
Dimension BC	6.89 in
Dimension C	3.25 in
Dimension D	5.130 in
Dimension E	4.88 in
Dimension F	6.19 in
Dimension H	1.00 in
Dimension J (Bolt Size)	0.625 in
Dimension KA	1.13 in
Dimension L Exp	3.35 in
Dimension L Fix	3.27 in
Dimension M	2 in
Dimension N	2.630 in
Dimension RA	0.15 in
Dimension SA	3.13 in
C0 - Static Load	31900 lb
C - Dynamic Load (Basic)	31400 lb
e - Geometry Factor	0.25

QAF11A204S Bearing 2D drawings and 3D CAD models



## SAF BEARING LIMITED

Y1 - Geometry Factor	2.74
Y2 - Geometry Factor	4.08
Oil Lubrication - M/N Seal	2200 rpm
Oil Lubrication - T Seal	3800 rpm
Oil Lubrication - B/C/O Seal	1600 rpm
Grease Lubrication - M/N Seal	2200 rpm
Grease Lubrication - T Seal	3200 rpm
Grease Lubrication - B/C/O Seal	1600 rpm
Float	0.050 in
Shaft Tolerance	0.0015 in
Eng Internal Radial Clearance - Min	0.0016
Eng Internal Radial Clearance - Max	0.0026
Pre Install Clearance Min	0.0016 in
Pre Install Clearance Max	0.0026 in