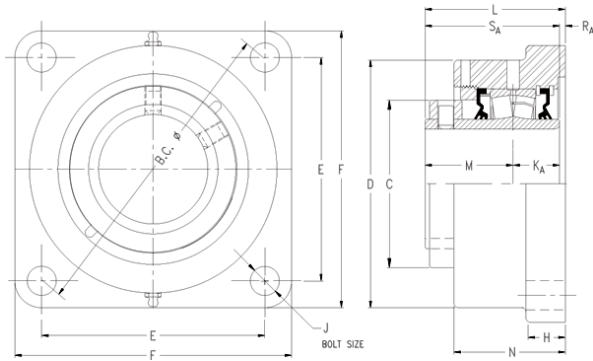




SAF BEARING LIMITED



timken QAF15A070S Solid Block/Spherical Roller Bearing Housed Units-Single Concentric Four Bolt Square Flange Block

Bearing No. QAF15A070S

QAF15A070S Bearing 2D drawings and 3D CAD models

Engineering Group	Mounted Bearing
Shaft Size	70 mm
Shaft Size Type	Metric
Full Timken Part Number	QAF15A070SB
Locking Style	Single Concentric
Weight	23 lb
Housing Style	Four-Bolt Square Flange
UPC Code	0883450306461
Dimension BC	8.48 in
Dimension C	4.50 in
Dimension D	6.650 in
Dimension E	6.000 in
Dimension F	7.44 in
Dimension H	1.06 in
Dimension J (Bolt Size)	0.75 in
Dimension KA	1.25 in
Dimension L Exp	3.85 in
Dimension L Fix	3.77 in
Dimension M	2.37 in
Dimension N	2.840 in
Dimension RA	0.15 in
Dimension SA	3.62 in
C0 - Static Load	54100 lb
C - Dynamic Load (Basic)	49900 lb
e - Geometry Factor	0.22



SAF BEARING LIMITED

Y1 - Geometry Factor	3.01
Y2 - Geometry Factor	4.48
Oil Lubrication - M/N Seal	1600 rpm
Oil Lubrication - T Seal	2900 rpm
Oil Lubrication - B/C/O Seal	1300 rpm
Grease Lubrication - M/N Seal	1600 rpm
Grease Lubrication - T Seal	2400 rpm
Grease Lubrication - B/C/O Seal	1300 rpm
Float	0.083 in
Shaft Tolerance	0.0020 in
Eng Internal Radial Clearance - Min	0.0020
Eng Internal Radial Clearance - Max	0.0031
Pre Install Clearance Min	0.0020 in
Pre Install Clearance Max	0.0031 in