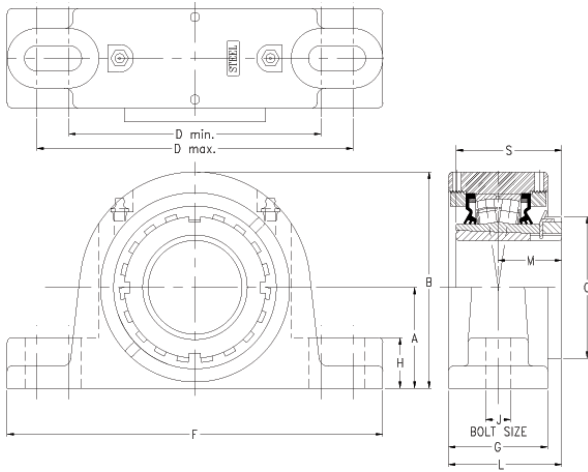




SAF BEARING LIMITED



timken DVP22K315S Solid Block/Spherical Roller Bearing Housed Units-Tapered Adapter Two-Bolt Pillow Block

Bearing No. DVP22K315S

DVP22K315S Bearing 2D drawings and 3D CAD models

Engineering Group	Mounted Bearing
Shaft Size	3-15/16 in
Shaft Size Type	Imperial
Full Timken Part Number	DVP22K315SB
Locking Style	Tapered Adapter
Weight	67 lb
Housing Style	Two-Bolt Pillow Block
UPC Code	0883450009126
Dimension A	4.25 in
Dimension B	8.80 in
Dimension C	5.71 in
Dimension D Max	12.50 in
Dimension D Min	10.06 in
Dimension F	14.25 in
Dimension G	3.960 in
Dimension H	1.50 in
Dimension J (Bolt Size)	1.000 in
Dimension L	4.46 in
Dimension M	2.48 in
Dimension S	4.13 in
C0 - Static Load	147000 lb
C - Dynamic Load (Basic)	125000 lb
e - Geometry Factor	0.25
Y1 - Geometry Factor	2.73
Y2 - Geometry Factor	4.06



SAF BEARING LIMITED

Oil Lubrication - M/N Seal	900 rpm
Oil Lubrication - T Seal	1700 rpm
Oil Lubrication - B/C/O Seal	600 rpm
Grease Lubrication - M/N Seal	900 rpm
Grease Lubrication - T Seal	1200 rpm
Grease Lubrication - B/C/O Seal	600 rpm
Float	0.083 in
Shaft Tolerance	0.0040 in
Pre Install Clearance Min	0.0053 in
Pre Install Clearance Max	0.0067 in
Int Radial Clearance Reduction Min	0.0020 in
Int Radial Clearance Reduction Max	0.0028 in
Adapter Sleeve Axial Movement Min	0.03 in