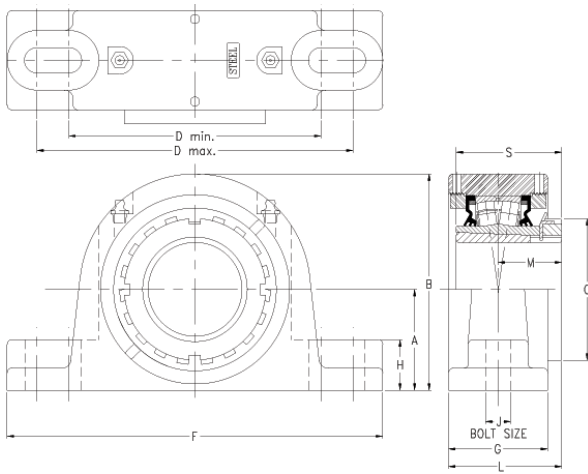




SAF BEARING LIMITED



timken DVP22K400S Solid Block/Spherical Roller Bearing Housed Units-Tapered Adapter Two-Bolt Pillow Block

Bearing No. DVP22K400S

DVP22K400S Bearing 2D drawings and 3D CAD models

| | |
|--------------------------|-----------------------|
| Engineering Group | Mounted Bearing |
| Shaft Size | 4 in |
| Shaft Size Type | Imperial |
| Full Timken Part Number | DVP22K400SB |
| Locking Style | Tapered Adapter |
| Weight | 67 lb |
| Housing Style | Two-Bolt Pillow Block |
| UPC Code | 0883450009225 |
| Dimension A | 4.25 in |
| Dimension B | 8.80 in |
| Dimension C | 5.71 in |
| Dimension D Max | 12.50 in |
| Dimension D Min | 10.06 in |
| Dimension F | 14.25 in |
| Dimension G | 3.960 in |
| Dimension H | 1.50 in |
| Dimension J (Bolt Size) | 1.000 in |
| Dimension L | 4.46 in |
| Dimension M | 2.48 in |
| Dimension S | 4.13 in |
| C0 - Static Load | 147000 lb |
| C - Dynamic Load (Basic) | 125000 lb |
| e - Geometry Factor | 0.25 |
| Y1 - Geometry Factor | 2.73 |
| Y2 - Geometry Factor | 4.06 |



SAF BEARING LIMITED

| | |
|------------------------------------|-----------|
| Oil Lubrication - M/N Seal | 900 rpm |
| Oil Lubrication - T Seal | 1700 rpm |
| Oil Lubrication - B/C/O Seal | 600 rpm |
| Grease Lubrication - M/N Seal | 900 rpm |
| Grease Lubrication - T Seal | 1200 rpm |
| Grease Lubrication - B/C/O Seal | 600 rpm |
| Float | 0.083 in |
| Shaft Tolerance | 0.0040 in |
| Pre Install Clearance Min | 0.0053 in |
| Pre Install Clearance Max | 0.0067 in |
| Int Radial Clearance Reduction Min | 0.0020 in |
| Int Radial Clearance Reduction Max | 0.0028 in |
| Adapter Sleeve Axial Movement Min | 0.03 in |