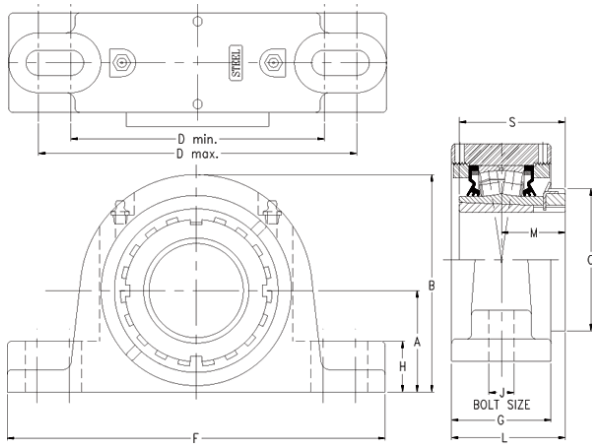




SAF BEARING LIMITED



timken TAPA11K050S Solid Block/Spherical Roller Bearing Housed Units-Tapered Adapter Two-Bolt Pillow Block

Bearing No. TAPA11K050S

Engineering Group	Mounted Bearing
Shaft Size	50 mm
Shaft Size Type	Metric
Full Timken Part Number	TAPA11K050SB
Locking Style	Tapered Adapter
Weight	17.0 lb
Housing Style	Two-Bolt Pillow Block
UPC Code	0883450124379
Dimension A	2.75 in
Dimension B	5.33 in
Dimension C	2.95 in
Dimension D Max	8.70 in
Dimension D Min	6.50 in
Dimension F	9.88 in
Dimension G	2.380 in
Dimension H	1.25 in
Dimension J (Bolt Size)	0.625 in
Dimension L	2.59 in
Dimension M	1.4 in
Dimension S	2.32 in
C0 - Static Load	31900 lb
C - Dynamic Load (Basic)	31400 lb
e - Geometry Factor	0.23
Y1 - Geometry Factor	2.95
Y2 - Geometry Factor	4.40

TAPA11K050S Bearing 2D drawings and 3D CAD models



SAF BEARING LIMITED

Oil Lubrication - M/N Seal	2200 rpm
Oil Lubrication - T Seal	3800 rpm
Oil Lubrication - B/C/O Seal	1800 rpm
Grease Lubrication - M/N Seal	2200 rpm
Grease Lubrication - T Seal	3200 rpm
Grease Lubrication - B/C/O Seal	1600 rpm
Float	0.050 in
Shaft Tolerance	0.0030 in
Pre Install Clearance Min	0.0030 in
Pre Install Clearance Max	0.0037 in
Int Radial Clearance Reduction Min	0.0012 in
Int Radial Clearance Reduction Max	0.0015 in
Adapter Sleeve Axial Movement Min	0.018 in
Adapter Sleeve Axial Movement Max	0.022 in
Post Install Int Radial Clearance Min	0.0015 in