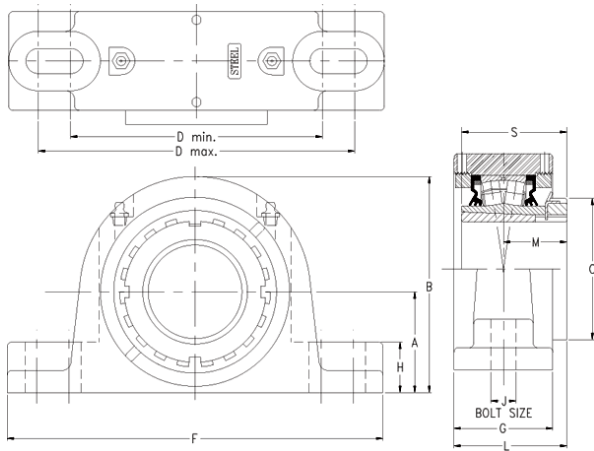




SAF BEARING LIMITED



timken TAPN17K075S Solid Block/Spherical Roller Bearing Housed Units-Tapered Adapter Two-Bolt Pillow Block

Bearing No. TAPN17K075S

TAPN17K075S Bearing 2D drawings and 3D CAD models

Engineering Group	Mounted Bearing
Shaft Size	75 mm
Shaft Size Type	Metric
Full Timken Part Number	TAPN17K075SB
Locking Style	Tapered Adapter
Weight	33 lb
Housing Style	Two-Bolt Pillow Block
UPC Code	0883450133029
Dimension A	3.75 in
Dimension B	7.32 in
Dimension C	4.33 in
Dimension D Max	11.00 in
Dimension D Min	9.50 in
Dimension F	12.63 in
Dimension G	3.0000 in
Dimension H	1.33 in
Dimension J (Bolt Size)	0.750 in
Dimension L	3.47 in
Dimension M	1.96 in
Dimension S	3.23 in
C0 - Static Load	71900 lb
C - Dynamic Load (Basic)	66900 lb
e - Geometry Factor	0.22
Y1 - Geometry Factor	3.07
Y2 - Geometry Factor	4.57



SAF BEARING LIMITED

Oil Lubrication - M/N Seal	1400 rpm
Oil Lubrication - T Seal	2400 rpm
Oil Lubrication - B/C/O Seal	1100 rpm
Grease Lubrication - M/N Seal	1400 rpm
Grease Lubrication - T Seal	2000 rpm
Grease Lubrication - B/C/O Seal	1100 rpm
Float	0.083 in
Shaft Tolerance	0.0040 in
Eng Internal Radial Clearance - Min	0.0043
Eng Internal Radial Clearance - Max	0.0055
Pre Install Clearance Min	0.0043 in
Pre Install Clearance Max	0.0055 in
Int Radial Clearance Reduction Min	0.0018 in
Int Radial Clearance Reduction Max	0.0025 in
Adapter Sleeve Axial Movement Min	0.027 in