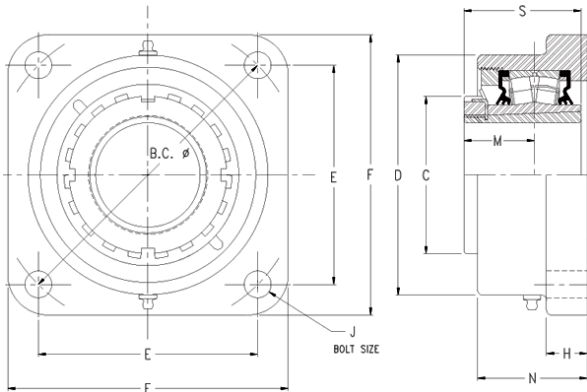




# SAF BEARING LIMITED



## timken DVF17K300S Solid Block/Spherical Roller Bearing Housed Units-Tapered Adapter Four Bolt Square Flange Block

Bearing No. DVF17K300S

DVF17K300S Bearing 2D drawings and 3D CAD models

Engineering Group	Mounted Bearing
Shaft Size	3 in
Shaft Size Type	Imperial
Full Timken Part Number	DVF17K300SB
Locking Style	Tapered Adapter
Weight	28 lb
Housing Style	Four-Bolt Square Flange
UPC Code	0883450006620
Dimension BC	8.48 in
Dimension C	4.33 in
Dimension D	6.720 in
Dimension E	6.000 in
Dimension F	7.44 in
Dimension H	1.06 in
Dimension J (Bolt Size)	0.75 in
Dimension L	3.46 in
Dimension M	1.96 in
Dimension N	3.030 in
Dimension S	3.23 in
C0 - Static Load	71900 lb
C - Dynamic Load (Basic)	66900 lb
e - Geometry Factor	0.23
Y1 - Geometry Factor	2.90
Y2 - Geometry Factor	4.31
Oil Lubrication - M/N Seal	1400 rpm



## SAF BEARING LIMITED

Oil Lubrication - T Seal	2400 rpm
Oil Lubrication - B/C/O Seal	1100 rpm
Grease Lubrication - M/N Seal	1400 rpm
Grease Lubrication - T Seal	2000 rpm
Grease Lubrication - B/C/O Seal	1100 rpm
Float	0.083 in
Shaft Tolerance	0.0040 in
Pre Install Clearance Min	0.0043 in
Pre Install Clearance Max	0.0055 in
Int Radial Clearance Reduction Min	0.0018 in
Int Radial Clearance Reduction Max	0.0025 in
Adapter Sleeve Axial Movement Min	0.027 in