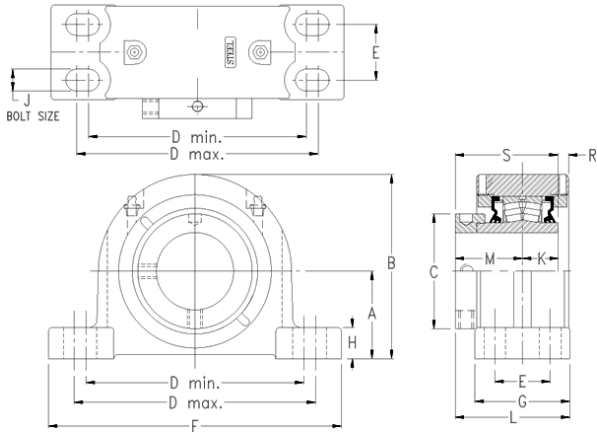




SAF BEARING LIMITED



timken QMPF26J125S Solid Block/Spherical Roller Bearing Housed Units-Eccentric Four-Bolt Pillow Block

Bearing No. QMPF26J125S

Engineering Group	Mounted Bearing
Shaft Size	125 mm
Shaft Size Type	Metric
Full Timken Part Number	QMPF26J125SB
Locking Style	Eccentric
Weight	134 lb
Housing Style	Four-Bolt Pillow Block
UPC Code	0883450155915
Dimension A	5.50 in
Dimension B	11.01 in
Dimension C	6.89 in
Dimension D Max	15.88 in
Dimension D Min	13.75 in
Dimension E	2.75 in
Dimension F	17.50 in
Dimension G	5.040 in
Dimension H	1.54 in
Dimension J (Bolt Size)	0.875 in
Dimension K	2.31 in
Dimension L	6.25 in
Dimension M	3.73 in
Dimension R	-0.03 in
Dimension S	6.040 in
C0 - Static Load	212000 lb
C - Dynamic Load (Basic)	170000 lb

QMPF26J125S Bearing 2D drawings and 3D CAD models



SAF BEARING LIMITED

e - Geometry Factor	0.26
Y1 - Geometry Factor	2.62
Y2 - Geometry Factor	3.90
Oil Lubrication - M/N Seal	700 rpm
Oil Lubrication - T Seal	1500 rpm
Oil Lubrication - B/C/O Seal	400 rpm
Grease Lubrication - M/N Seal	700 rpm
Grease Lubrication - T Seal	1000 rpm
Grease Lubrication - B/C/O Seal	400 rpm
Float	0.083 in
Shaft Tolerance	0.0050 in
Eng Internal Radial Clearance - Min	0.0037
Eng Internal Radial Clearance - Max	0.0057
Pre Install Clearance Min	0.0037 in
Pre Install Clearance Max	0.0057 in