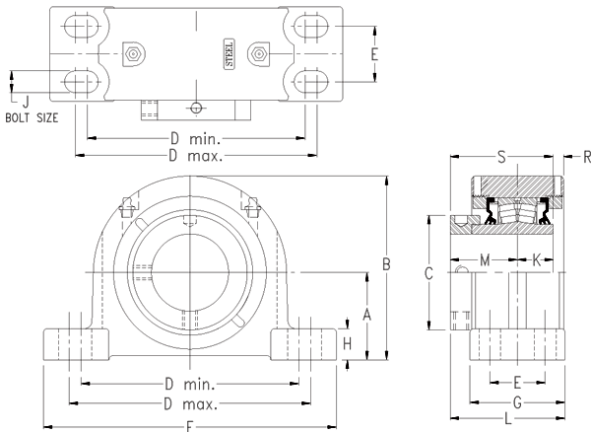




SAF BEARING LIMITED



timken QMPR15J212S Solid Block/Spherical Roller Bearing Housed Units-Eccentric Four-Bolt Pillow Block

Bearing No. QMPR15J212S

Engineering Group	Mounted Bearing
Shaft Size	2-3/4 in
Shaft Size Type	Imperial
Full Timken Part Number	QMPR15J212SB
Locking Style	Eccentric
Weight	27 lb
Housing Style	Four-Bolt Pillow Block
UPC Code	0883450090025
Dimension A	3.13 in
Dimension B	6.47 in
Dimension C	4.01 in
Dimension D Max	9.60 in
Dimension D Min	8.00 in
Dimension E	2.13 in
Dimension F	10.83 in
Dimension G	3.380 in
Dimension H	1.16 in
Dimension J (Bolt Size)	0.625 in
Dimension K	1.25 in
Dimension L	4.06 in
Dimension M	2.37 in
Dimension R	0.24 in
Dimension S	3.62 in
C0 - Static Load	54100 lb
C - Dynamic Load (Basic)	49900 lb

QMPR15J212S Bearing 2D drawings and 3D CAD models



SAF BEARING LIMITED

e - Geometry Factor	0.22
Y1 - Geometry Factor	3.14
Y2 - Geometry Factor	4.67
Oil Lubrication - M/N Seal	1600 rpm
Oil Lubrication - T Seal	2900 rpm
Oil Lubrication - B/C/O Seal	1300 rpm
Grease Lubrication - M/N Seal	1600 rpm
Grease Lubrication - T Seal	2400 rpm
Grease Lubrication - B/C/O Seal	1300 rpm
Float	0.083 in
Shaft Tolerance	0.0020 in
Eng Internal Radial Clearance - Min	0.0020
Eng Internal Radial Clearance - Max	0.0031
Pre Install Clearance Min	0.0020 in
Pre Install Clearance Max	0.0031 in