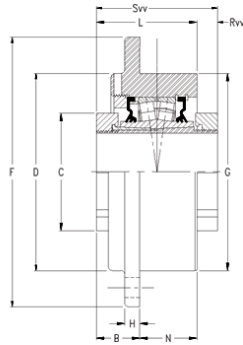
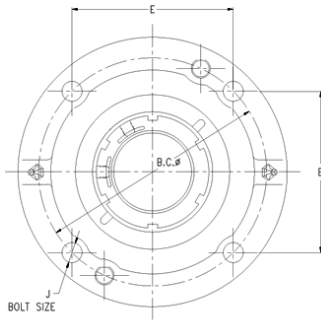




# SAF BEARING LIMITED



## timken QVVC19V307S Solid Block/Spherical Roller Bearing Housed Units-Double V-Lock Piloted Flange Cartridge

Bearing No. QVVC19V307S

QVVC19V307S Bearing 2D drawings and 3D CAD models

Engineering Group	Mounted Bearing
Shaft Size	3-7/16 in
Shaft Size Type	Imperial
Full Timken Part Number	QVVC19V307SB
Locking Style	Double V-Lock
Weight	32 lb
Housing Style	Piloted Flange Cartridge
UPC Code	0883450184342
Dimension BC	8.63 in
Dimension C	4.900 in
Dimension E	6.10 in
Dimension B Fix	2.46 in
Dimension B Exp	2.54 in
Dimension F	10.34 in
Dimension D	7.29 in
Dimension H	1.00 in
Dimension J (Bolt Size)	0.75 in
Dimension L	3.77 in
Dimension RVV	0.73 in
Dimension SVV	4.49 in
Dimension G	7.375 in
Dimension N	1.31 in
C - Dynamic Load (Basic)	86600 lb
C0 - Static Load	99000 lb
e - Geometry Factor	0.23



## SAF BEARING LIMITED

Y1 - Geometry Factor	2.88
Y2 - Geometry Factor	4.29
Oil Lubrication - M/N Seal	1300 rpm
Oil Lubrication - T Seal	2200 rpm
Oil Lubrication - B/C/O Seal	1000 rpm
Grease Lubrication - M/N Seal	1300 rpm
Grease Lubrication - T Seal	1800 rpm
Grease Lubrication - B/C/O Seal	950 rpm
Float	0.083 in
Shaft Tolerance	0.0030 in
Eng Internal Radial Clearance - Min	0.0043
Eng Internal Radial Clearance - Max	0.0055
Pre Install Clearance Min	0.0043 in
Pre Install Clearance Max	0.0055 in