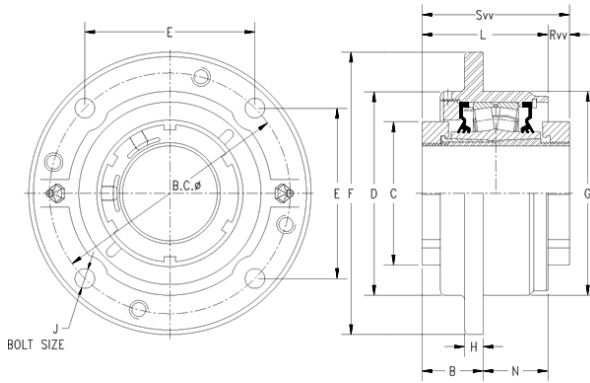




# SAF BEARING LIMITED



## timken QVVCW11V050S Solid Block/Spherical Roller Bearing Housed Units- Double V-Lock Piloted Flange Cartridge

Bearing No. QVVCW11V050S

QVVCW11V050S Bearing 2D drawings and 3D CAD models

Engineering Group	Mounted Bearing
Shaft Size	50 mm
Shaft Size Type	Metric
Full Timken Part Number	QVVCW11V050SB
Locking Style	Double V-Lock
Weight	10 lb
Housing Style	Piloted Flange Cartridge
UPC Code	0883450091343
Dimension BC	5.38 in
Dimension C	2.990 in
Dimension E	3.80 in
Dimension B Fix	1.66 in
Dimension B Exp	1.74 in
Dimension F	6.38 in
Dimension D	4.47 in
Dimension H	0.38 in
Dimension J (Bolt Size)	0.438 in
Dimension L	3.16 in
Dimension RVV	0.86 in
Dimension SVV	4.02 in
Dimension G	4.500 in
Dimension N	1.50 in
C - Dynamic Load (Basic)	31400 lb
C0 - Static Load	31900 lb
e - Geometry Factor	0.23



## SAF BEARING LIMITED

Y1 - Geometry Factor	2.95
Y2 - Geometry Factor	4.40
Oil Lubrication - M/N Seal	2200 rpm
Oil Lubrication - T Seal	3800 rpm
Oil Lubrication - B/C/O Seal	1800 rpm
Grease Lubrication - M/N Seal	2200 rpm
Grease Lubrication - T Seal	3200 rpm
Grease Lubrication - B/C/O Seal	1600 rpm
Float	0.050 in
Shaft Tolerance	0.0015 in
Eng Internal Radial Clearance - Min	0.0030
Eng Internal Radial Clearance - Max	0.0037
Pre Install Clearance Min	0.0030 in
Pre Install Clearance Max	0.0037 in