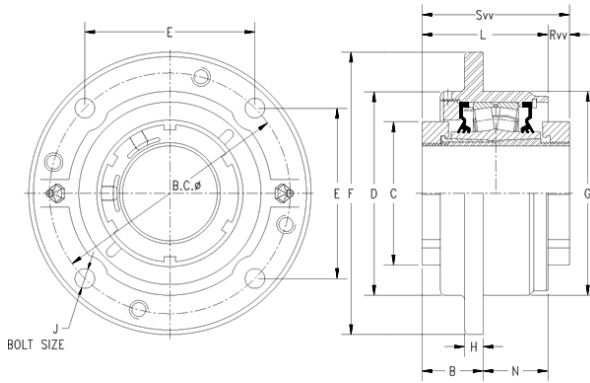




# SAF BEARING LIMITED



## timken QVVCW12V203S Solid Block/Spherical Roller Bearing Housed Units- Double V-Lock Piloted Flange Cartridge

Bearing No. QVVCW12V203S

QVVCW12V203S Bearing 2D drawings and 3D CAD models

Engineering Group	Mounted Bearing
Shaft Size	2-3/16 in
Shaft Size Type	Imperial
Full Timken Part Number	QVVCW12V203SB
Locking Style	Double V-Lock
Weight	13 lb
Housing Style	Piloted Flange Cartridge
UPC Code	0883450091350
Dimension BC	6.00 in
Dimension C	3.160 in
Dimension E	4.24 in
Dimension B Fix	1.70 in
Dimension B Exp	1.79 in
Dimension F	7.13 in
Dimension D	5.00 in
Dimension H	0.56 in
Dimension J (Bolt Size)	0.5 in
Dimension L	3.33 in
Dimension RVV	0.69 in
Dimension SVV	4.02 in
Dimension G	5.000 in
Dimension N	1.63 in
C - Dynamic Load (Basic)	38100 lb
C0 - Static Load	39000 lb
e - Geometry Factor	0.24



## SAF BEARING LIMITED

Y1 - Geometry Factor	2.84
Y2 - Geometry Factor	4.23
Oil Lubrication - M/N Seal	2000 rpm
Oil Lubrication - T Seal	3500 rpm
Oil Lubrication - B/C/O Seal	1650 rpm
Grease Lubrication - M/N Seal	2000 rpm
Grease Lubrication - T Seal	3000 rpm
Grease Lubrication - B/C/O Seal	1550 rpm
Float	0.050 in
Shaft Tolerance	0.0015 in
Eng Internal Radial Clearance - Min	0.0030
Eng Internal Radial Clearance - Max	0.0037
Pre Install Clearance Min	0.0030 in
Pre Install Clearance Max	0.0037 in