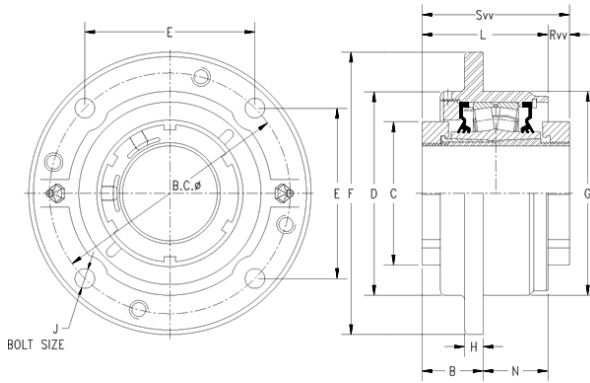




SAF BEARING LIMITED



timken QVVCW14V207S Solid Block/Spherical Roller Bearing Housed Units- Double V-Lock Piloted Flange Cartridge

Bearing No. QVVCW14V207S

QVVCW14V207S Bearing 2D drawings and 3D CAD models

| | |
|--------------------------|--------------------------|
| Engineering Group | Mounted Bearing |
| Shaft Size | 2-7/16 in |
| Shaft Size Type | Imperial |
| Full Timken Part Number | QVVCW14V207SB |
| Locking Style | Double V-Lock |
| Weight | 16 lb |
| Housing Style | Piloted Flange Cartridge |
| UPC Code | 0883450063548 |
| Dimension BC | 6.50 in |
| Dimension C | 3.700 in |
| Dimension E | 4.60 in |
| Dimension B Fix | 1.65 in |
| Dimension B Exp | 1.73 in |
| Dimension F | 7.63 in |
| Dimension D | 5.50 in |
| Dimension H | 0.50 in |
| Dimension J (Bolt Size) | 0.5 in |
| Dimension L | 3.40 in |
| Dimension RVV | 0.59 in |
| Dimension SVV | 3.99 in |
| Dimension G | 5.500 in |
| Dimension N | 1.69 in |
| C - Dynamic Load (Basic) | 47800 lb |
| C0 - Static Load | 52000 lb |
| e - Geometry Factor | 0.23 |



SAF BEARING LIMITED

| | |
|---------------------------------|-----------|
| Y1 - Geometry Factor | 2.90 |
| Y2 - Geometry Factor | 4.32 |
| Oil Lubrication - M/N Seal | 1700 rpm |
| Oil Lubrication - T Seal | 3050 rpm |
| Oil Lubrication - B/C/O Seal | 1400 rpm |
| Grease Lubrication - M/N Seal | 1700 rpm |
| Grease Lubrication - T Seal | 2600 rpm |
| Grease Lubrication - B/C/O Seal | 1400 rpm |
| Float | 0.083 in |
| Shaft Tolerance | 0.0015 in |
| Pre Install Clearance Min | 0.0030 in |
| Pre Install Clearance Max | 0.0037 in |