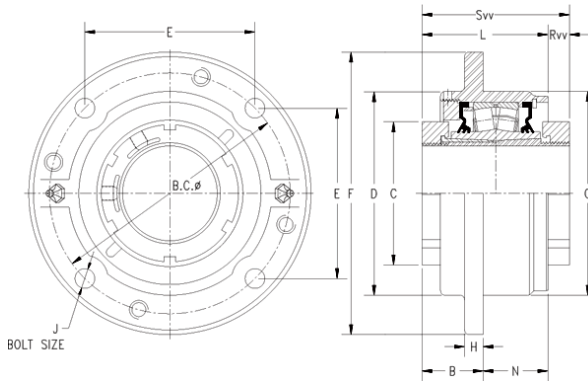




SAF BEARING LIMITED



timken QVVCW19V085S Solid Block/Spherical Roller Bearing Housed Units- Double V-Lock Piloted Flange Cartridge

Bearing No. QVVCW19V085S

QVVCW19V085S Bearing 2D drawings and 3D CAD models

Engineering Group	Mounted Bearing
Shaft Size	85 mm
Shaft Size Type	Metric
Full Timken Part Number	QVVCW19V085SB
Locking Style	Double V-Lock
Weight	32 lb
Housing Style	Piloted Flange Cartridge
UPC Code	0883450091381
Dimension BC	8.63 in
Dimension C	4.900 in
Dimension E	6.10 in
Dimension B Fix	1.96 in
Dimension B Exp	2.04 in
Dimension F	10.25 in
Dimension D	7.38 in
Dimension H	0.88 in
Dimension J (Bolt Size)	0.75 in
Dimension L	3.84 in
Dimension RVV	0.66 in
Dimension SVV	4.49 in
Dimension G	7.375 in
Dimension N	1.88 in
C - Dynamic Load (Basic)	86600 lb
C0 - Static Load	99000 lb
e - Geometry Factor	0.23



SAF BEARING LIMITED

Y1 - Geometry Factor	2.88
Y2 - Geometry Factor	4.29
Oil Lubrication - M/N Seal	1300 rpm
Oil Lubrication - T Seal	2200 rpm
Oil Lubrication - B/C/O Seal	1000 rpm
Grease Lubrication - M/N Seal	1300 rpm
Grease Lubrication - T Seal	1800 rpm
Grease Lubrication - B/C/O Seal	950 rpm
Float	0.083 in
Shaft Tolerance	0.0030 in
Eng Internal Radial Clearance - Min	0.0043
Eng Internal Radial Clearance - Max	0.0055
Pre Install Clearance Min	0.0043 in
Pre Install Clearance Max	0.0055 in