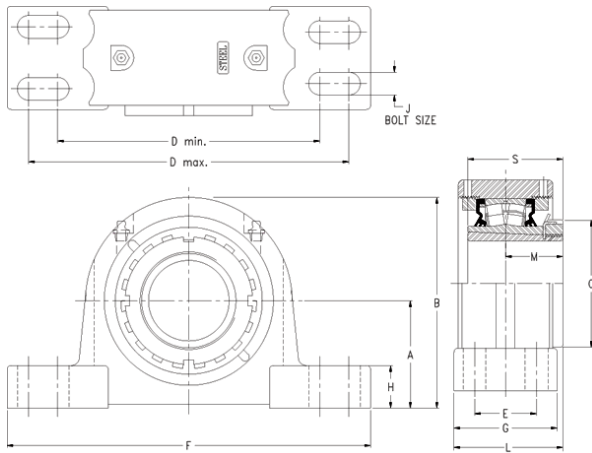




# SAF BEARING LIMITED



## timken TAPG26K408S Solid Block/Spherical Roller Bearing Housed Units-Tapered Adapter Four-Bolt Pillow Block

Bearing No. TAPG26K408S

TAPG26K408S Bearing 2D drawings and 3D CAD models

Engineering Group	Mounted Bearing
Shaft Size	4-1/2 in
Shaft Size Type	Imperial
Full Timken Part Number	TAPG26K408SB
Locking Style	Tapered Adapter
Weight	136 lb
Housing Style	Four-Bolt Pillow Block
UPC Code	0883450128278
Dimension A	5.91 in
Dimension B	11.09 in
Dimension C	6.50 in
Dimension D Max	15.75 in
Dimension D Min	14.46 in
Dimension E	3.19 in
Dimension F	17.50 in
Dimension G	5.040 in
Dimension H	1.94 in
Dimension J (Bolt Size)	1.000 in
Dimension L	5.35 in
Dimension M	2.83 in
Dimension S	4.760 in
C0 - Static Load	212000 lb
C - Dynamic Load (Basic)	170000 lb
e - Geometry Factor	0.26
Y1 - Geometry Factor	2.62



## SAF BEARING LIMITED

Y2 - Geometry Factor	3.90
Oil Lubrication - M/N Seal	700 rpm
Oil Lubrication - T Seal	1500 rpm
Oil Lubrication - B/C/O Seal	400 rpm
Grease Lubrication - M/N Seal	700 rpm
Grease Lubrication - T Seal	1000 rpm
Grease Lubrication - B/C/O Seal	400 rpm
Float	0.083 in
Shaft Tolerance	0.0040 in
Pre Install Clearance Min	0.0063 in
Pre Install Clearance Max	0.0079 in
Int Radial Clearance Reduction Min	0.0025 in
Int Radial Clearance Reduction Max	0.0035 in
Adapter Sleeve Axial Movement Min	0.035 in
Adapter Sleeve Axial Movement Max	0.050 in
Post Install Int Radial Clearance Min	0.0030 in