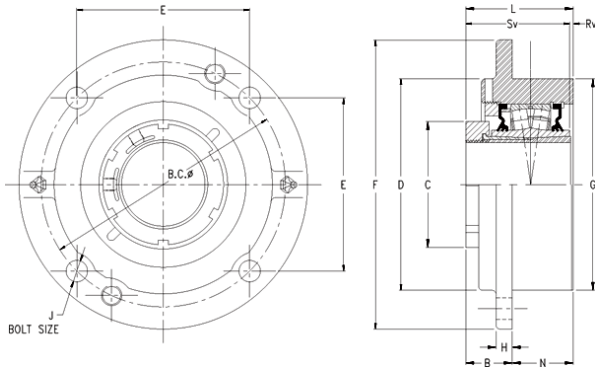




SAF BEARING LIMITED



timken QVC16V300S Solid Block/Spherical Roller Bearing Housed Units-Single V-Lock Piloted Flange Cartridge

Bearing No. QVC16V300S

QVC16V300S Bearing 2D drawings and 3D CAD models

Engineering Group	Mounted Bearing
Shaft Size	3 in
Shaft Size Type	Imperial
Full Timken Part Number	QVC16V300SB
Locking Style	Single V-Lock
Weight	22.00 lb
Housing Style	Piloted Flange Cartridge
UPC Code	0883450037594
Dimension BC	7.50 in
Dimension C	4.190 in
Dimension E	5.30 in
Dimension B Fix	2.08 in
Dimension B Exp	2.16 in
Dimension F	8.75 in
Dimension H	0.81 in
Dimension J (Bolt Size)	0.625 in
Dimension L	3.33 in
Dimension RV	0.04 in
Dimension SV	3.29 in
Dimension G	6.375 in
Dimension N	1.25 in
C0 - Static Load	62500 lb
C - Dynamic Load (Basic)	57200 lb
e - Geometry Factor	0.22
Y1 - Geometry Factor	3.14



SAF BEARING LIMITED

Y2 - Geometry Factor	4.67
Oil Lubrication - M/N Seal	1500 rpm
Oil Lubrication - T Seal	2650 rpm
Oil Lubrication - B/C/O Seal	1200 rpm
Grease Lubrication - M/N Seal	1500 rpm
Grease Lubrication - T Seal	2200 rpm
Grease Lubrication - B/C/O Seal	1150 rpm
Float	0.083 in
Shaft Tolerance	0.0020 in
Eng Internal Radial Clearance - Min	0.0037
Eng Internal Radial Clearance - Max	0.0047
Pre Install Clearance Min	0.0037 in
Pre Install Clearance Max	0.0047 in