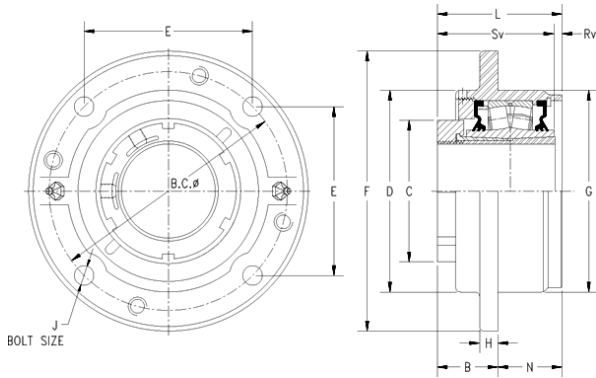




SAF BEARING LIMITED



timken QVCW28V130S Solid Block/Spherical Roller Bearing Housed Units-Single V-Lock Piloted Flange Cartridge

Bearing No. QVCW28V130S

QVCW28V130S Bearing 2D drawings and 3D CAD models

Engineering Group	Mounted Bearing
Shaft Size	130 mm
Shaft Size Type	Metric
Full Timken Part Number	QVCW28V130SB
Locking Style	Single V-Lock
Weight	102 lb
Housing Style	Piloted Flange Cartridge
UPC Code	0883450091169
Dimension BC	12.75 in
Dimension C	7.480 in
Dimension E	6.38 in
Dimension B Fix	2.62 in
Dimension B Exp	2.70 in
Dimension F	14.75 in
Dimension H	1.03 in
Dimension J (Bolt Size)	0.875 in
Dimension L	5.69 in
Dimension RV	0.13 in
Dimension SV	5.82 in
Dimension G	11.000 in
Dimension N	3.07 in
C0 - Static Load	237000 lb
C - Dynamic Load (Basic)	194000 lb
e - Geometry Factor	0.25
Y1 - Geometry Factor	2.67



SAF BEARING LIMITED

Y2 - Geometry Factor	3.98
Oil Lubrication - M/N Seal	650 rpm
Oil Lubrication - T Seal	1200 rpm
Oil Lubrication - B/C/O Seal	350 rpm
Grease Lubrication - M/N Seal	650 rpm
Grease Lubrication - T Seal	900 rpm
Grease Lubrication - B/C/O Seal	350 rpm
Float	0.083 in
Shaft Tolerance	0.0050 in
Eng Internal Radial Clearance - Min	0.0063
Eng Internal Radial Clearance - Max	0.0079
Pre Install Clearance Min	0.0063 in
Pre Install Clearance Max	0.0079 in